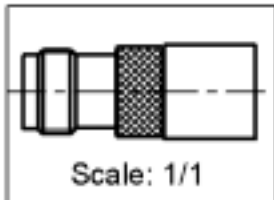
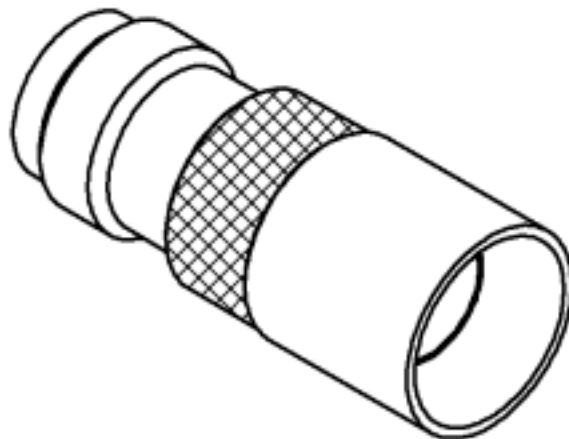
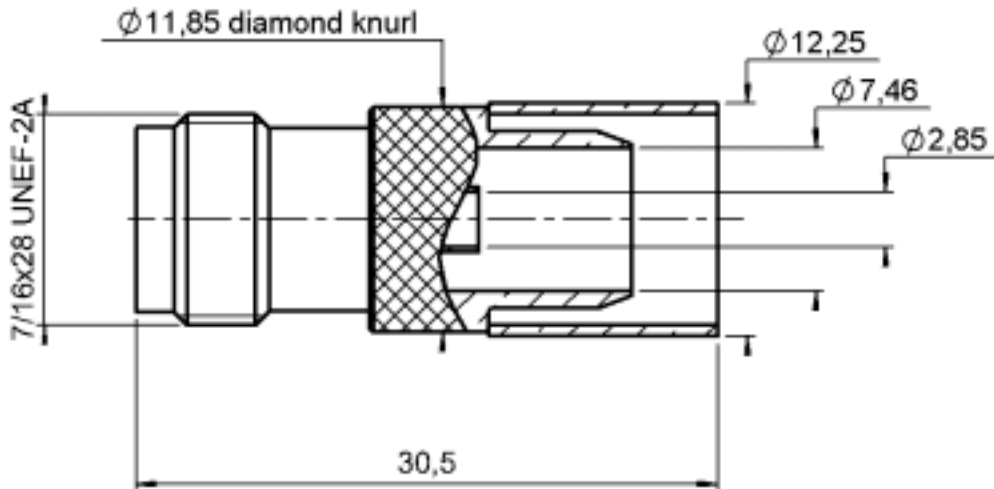


RP TNC STRAIGHT JACK CRIMP TYPE

CABLE 10/50S LMR400

R300.143.210

Series :
REV.POLARITY



All dimensions are in mm.



COMPONENTS	MATERIALS	PLATINGS (µm)
BODY	BRASS	BBR 2
CENTER CONTACT	BRASS	GOLD 0.5 OVER NICKEL 2
OUTER CONTACT	-	-
INSULATOR	PTFE	-
GASKET	-	-
OTHERS PARTS	-	-
-	-	-
-	-	-

Issue : 0252 A

In the effort to improve our products, we reserve the right to make changes judged to be necessary.



RP TNC STRAIGHT JACK CRIMP TYPE

R300.143.210

CABLE 10/50S LMR400

Series :
REV.POLARITY

PACKAGING

Standard	Unit	Other
100	'W' option	Contact us

SPECIFICATION

ELECTRICAL CHARACTERISTICS

Impedance		50 Ω
Frequency		0-11 GHz
VSWR	1.4 +	0.000 x F(GHz) Maxi
Insertion loss		0.06 √F(GHz) dB Maxi
RF leakage	- (- F(GHz)) dB Maxi
Voltage rating		500 Veff Maxi
Dielectric withstanding voltage		1500 Veff mini
Insulation resistance		5000 MΩ mini

CABLE ASSEMBLY

Stripping	a	b	c	d	e	f
mm	3.00	7.50	12.0	0.00	9.00	0.00

Assembly instruction : **Crimp 01**

Recommended cable(s)
LMR 400

Cable retention
- pull off **200** N mini
- torque **NA** N.cm

MECHANICAL CHARACTERISTICS

Center contact retention		
Axial force – Mating end	27	N mini
Axial force – Opposite end	27	N mini
Torque		N.cm mini

Recommended torque		
Mating		N.cm
Panel nut		N.cm
Clamp nut		N.cm
A/F clamp nut	0.000	mm

Mating life	500	Cycles mini
Weight	11.470	g

TOOLING

Part Number	Description	Hexagon
.	.	.
R282.231.000	CRIMPING TOOL	
R282.293.000	CRIMPING TOOL	
R282.235.116	CRIMPING DIES	

OTHERS CHARACTERISTICS

ENVIRONMENTAL

Operating temperature	-65/+165	° C
Hermetic seal		Atm.cm3/s
Panel leakage		

Issue : 0252 A

In the effort to improve our products, we reserve the right to make changes judged to be necessary.

